

## Vibrancy, Reliability, and Durability in a Compact Design



Luminous Color Type



### Performance

- 4 flash patterns
- Connect up to 20 units to flash simultaneously or in an alternating pattern
- Brightness reduction mode

### Durability

- High vibration resistance (90 m/s<sup>2</sup>)
- IP68 - Dust-proof and water-proof
- Life: 100,000 hours\*

\* Red, manufacturer-specified value



**#1** Ranked Globally  
in Signaling Devices

\*1 2017 Global research study

Forklift Trucks

AGV

Control Panel

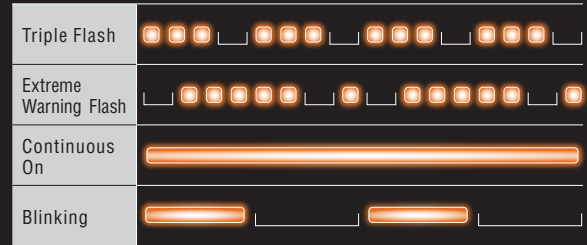
Plant Floor

## Slim Design

Thin (13.5mm deep), compact design saves installation space.



## Various Light Patterns



## High Reliability

- Visible from great distances
- High vibration resistance, 90m/s<sup>2</sup>
- IP68 dust-proof, water-proof protection



The following can be changed according to preset settings \*

- Flash pattern
- Simultaneous or alternating flash (when multiple units are connected)

Video of Flash Patterns

How to Set Flash Patterns

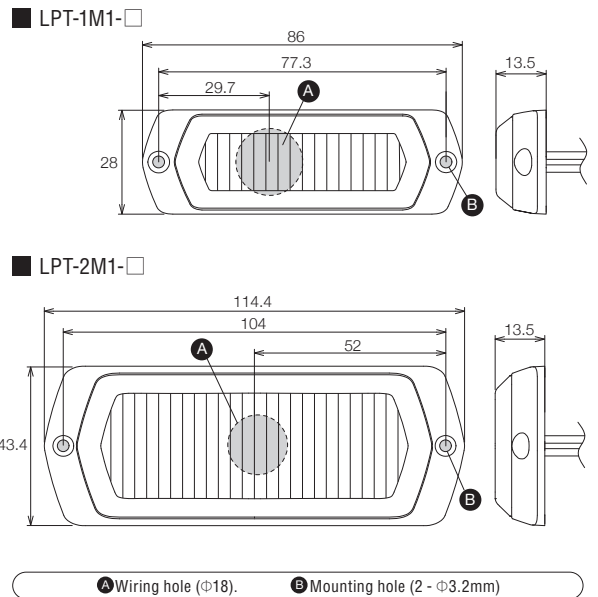


\*Factory default: Triple-flash, simultaneous flash

## Specification

Model	LPT-1M1-□ □:R/Y/G/B				LPT-2M1-□ □:R/Y/G/B		
Rated Voltage	12 - 24V DC						
Power Consumption (Max.)	R/Y	G	B	R/Y	G	B	
	3.6W	7.2W	6.0W	13.2W	15.6W	14.4W	
Mounting Location	Indoor/outdoor (In all directions)						
Protection Rating	IP68* (IEC 60529) / NEMA TYPE 4X, 13 *IPX8: under water at 1m for 1 hour, excluding the end of the cable.						
Luminous Color	Red, Amber, Green, Blue						
Daisy-chained	Maximum 20 units						
Mass	72g or less			130g or less			

## Product Dimensions (mm)



※ Please download the instruction manual or specification sheet from our website for more details.

## PATLITE Corporation

4-1-3, Kyutaromachi, Chuo-ku, Osaka 541-0056 Japan  
International Sales Division  
TEL.+81-6-7711-8953 FAX.+81-6-7711-8961 E-mail: overseas@patlite.com.jp

**PATLITE (U.S.A.) Corporation**  
20130 S. Western Ave. Torrance, CA 90501, U.S.A.  
TEL.+1-310-328-3222 FAX.+1-310-328-2676 E-mail: sales@patlite.com

**PATLITE (SINGAPORE) PTE LTD**  
No.2 Leng Kee Road, #05-01 Thye Hong Centre, Singapore 159086  
TEL.+65-6226-1111 FAX.+65-6324-1411 E-mail: sales@patlite.com.sg

**PATLITE (CHINA) Corporation**  
Room 1102-1103, No.55, Lane 777, Guangzhong Road (West), Zhabei District, Shanghai, China 200072  
TEL.+86-21-6630-8969 FAX.+86-21-6630-8938 E-mail: sales@patlite.cn

**PATLITE Europe GmbH**  
Am Soeldnermoos 8, D-85399 Hallbergmoos, Germany  
TEL.+49-811-9981-9770-0 FAX.+49-811-9981-9770-90 E-mail: info@patlite.eu  
WEEE Reg. Nr. 67267160

**PATLITE KOREA CO., LTD.**  
A-2603, Daesung D-POLIS, 606, Seobusaet-gil, Geumcheon-gu, Seoul, 08504, Korea  
TEL.+82-2-523-6636 FAX.+82-2-861-9919 E-mail: sales@patlite.co.kr

**PATLITE TAIWAN CO., LTD.**  
2F-1, No.215, Sec. 2, Chengde Rd., Datong Dist., Taipei City 103645, Taiwan (R.O.C.)  
TEL.+886-2-2552-9611 FAX.+886-2-2552-9811 E-mail: info@patlite.tw

**PATLITE (THAILAND) CO., LTD.**  
Olympia Thai Tower, 15th Floor 444 Ratchadapisek Road Samsenok, Huay Kwang Bangkok 10310, Thailand  
TEL.+66-2-541-5431 FAX.+66-2-541-5429 E-mail: sales\_150716@patlite.co.th

**PATLITE MEXICO S.A. de C.V.**  
Plaza de La Paz No. 102, int. 712 Guanajuato Puerto Interior, Silao, Gto, C.P.36275, Mexico  
TEL.+52-472-748-9124 E-mail: ventas@patlite.com.mx

[www.patlite.com](http://www.patlite.com)

●PATLITE, the PATLITE logo are either registered trademarks or trademarks of PATLITE Corporation in JAPAN and/or other countries.

## CAUTION

To ensure correct use of these products, read the "Instruction Manual" prior to use. Failure to follow all safeguards can result in fire, electric shock, or other accidents. Specifications are subject to change without notice.

O-BJ04 | EN | 2010